

Luceplan Smart Training

New Lighting Collections 2021

Luceplan Sales Team | 15/09/2021

New Lighting Collections 2021

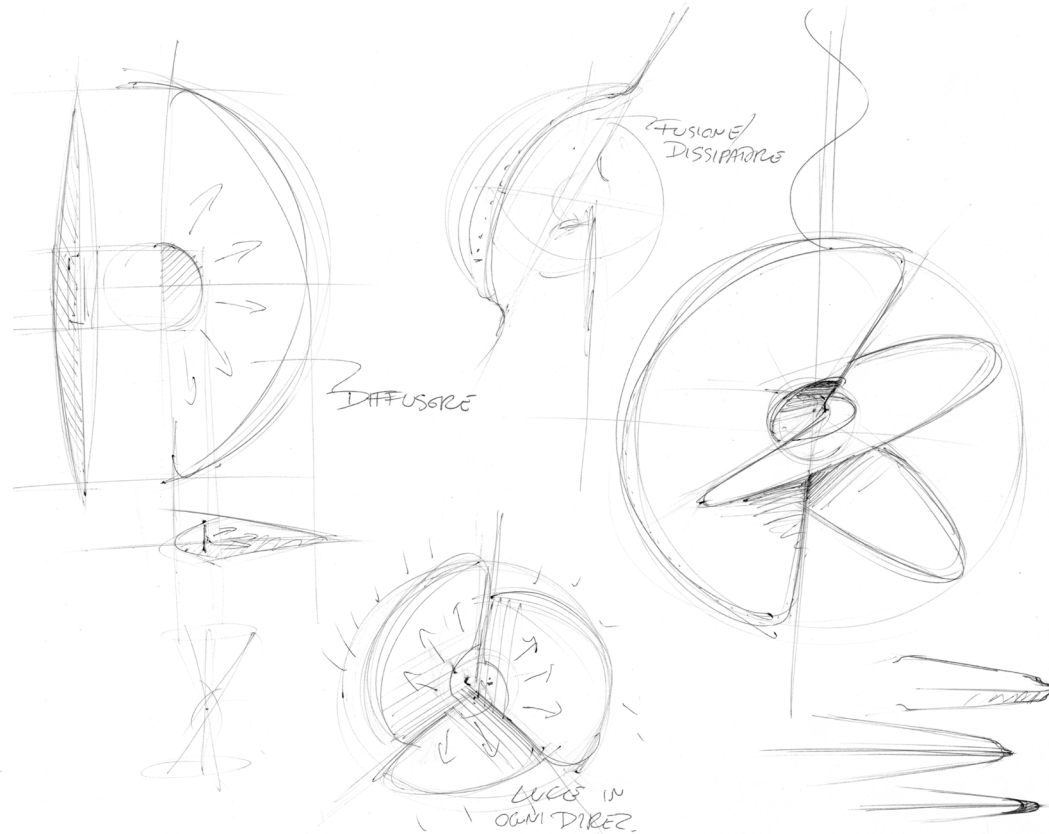
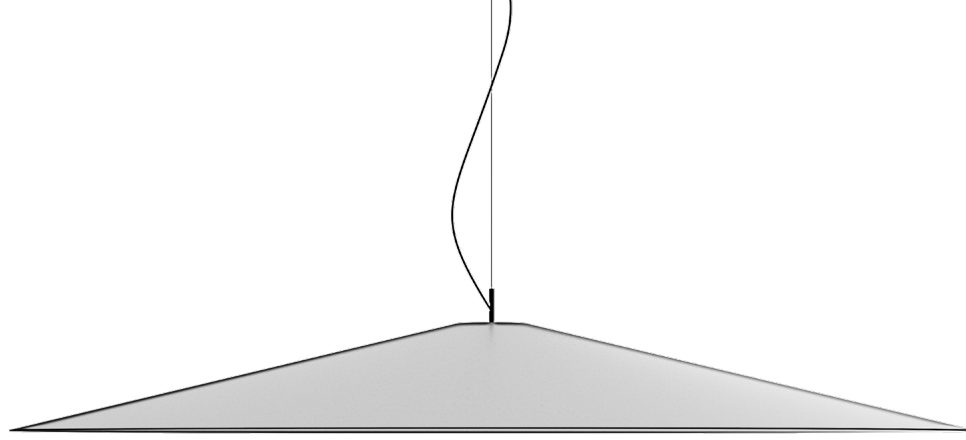
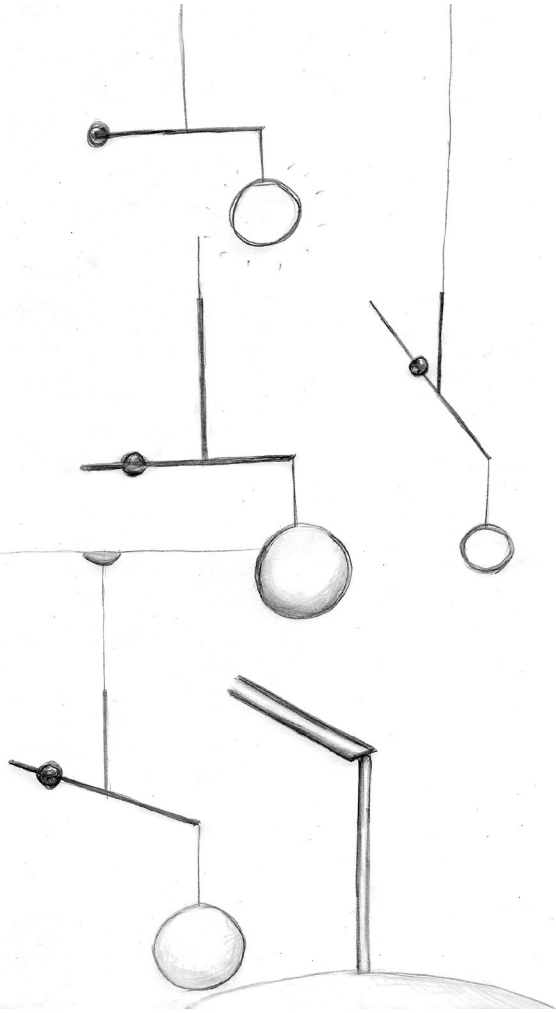
Koiné

Levante

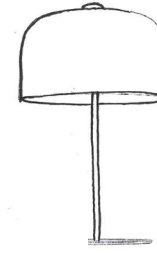
Malamata

Zile

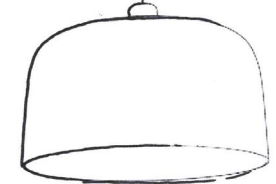
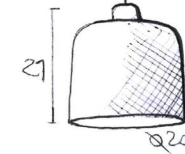
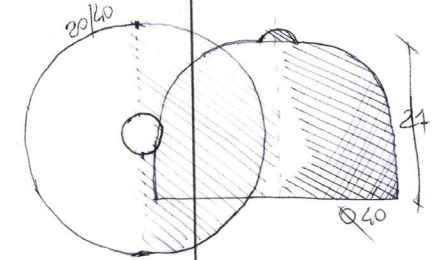
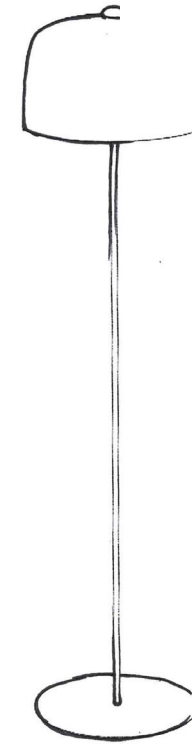
New products



ARCHIRIVOLTO 2020



- PANTONE 407
- PANTONE 4715
- PANTONE 5507
- Black



SONO PURO
VIBRAZIONI FARMONICHE
INFLUSSI BENEFICI

CAMERA TIBETANA - ZILE

Koinè

design by Mandalaki



Overview

Elegance and purity in form characterize the “Koinè” family of pendant lights, named for its meaning of “shared language” and for its shapes which make it extremely versatile.



Overview

The true heart of the project is not, however, its geometry but the light source itself. This is the hugely innovative feature of Koinè. The light source features a specially designed mineral lens. The light beam distributed by the lens is homogenous and distinct, a broad cone of light with clearly-defined edges. The border between light and shade is thus sharp, not blurred.



Concept

Thanks to careful light orientation, Koinè avoids dazzling effects, guaranteeing a pleasant lighting experience. The reflector is a shade that mainly plays a decorative role. Koinè comes in three sizes (110, 55 and 37 cm diameter) and always take up limited height space. The ceiling rose design reflects that of the diffuser.



Technical data

Tipology: suspension

Finishes: matt black, matt white, matt aluminium

Dimensions:

reflector: Ø 37 / 55 / 110 cm

Ceiling rose: Ø 18 x 5 cm

Materials:

Aluminium structure, glass lens

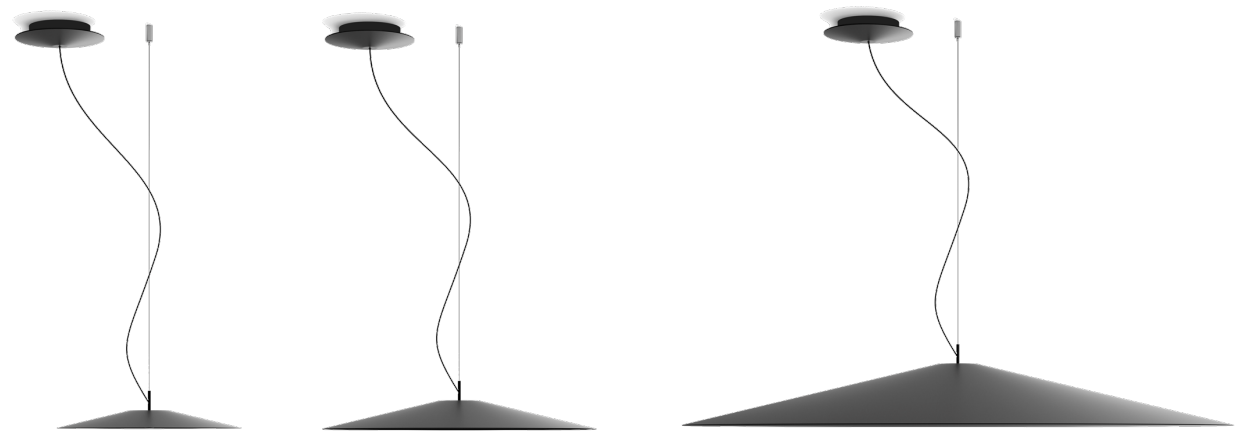
Light source:

LED module, 2700 e 3000 K, CRI 90, 15 W - 1.800* lm
(Ø 37/55 cm), 29 W - 3150* lm, (Ø 110 cm)

* Nominal value

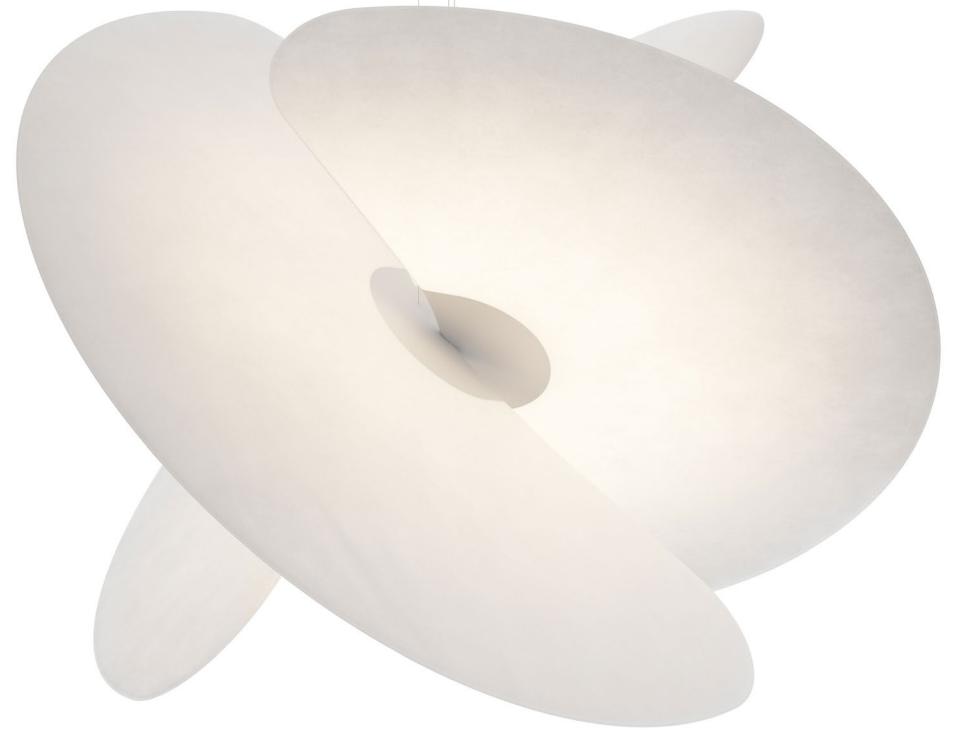
Dimmability:

Phase cut, push/DALI



Levante

design by Marco Spatti



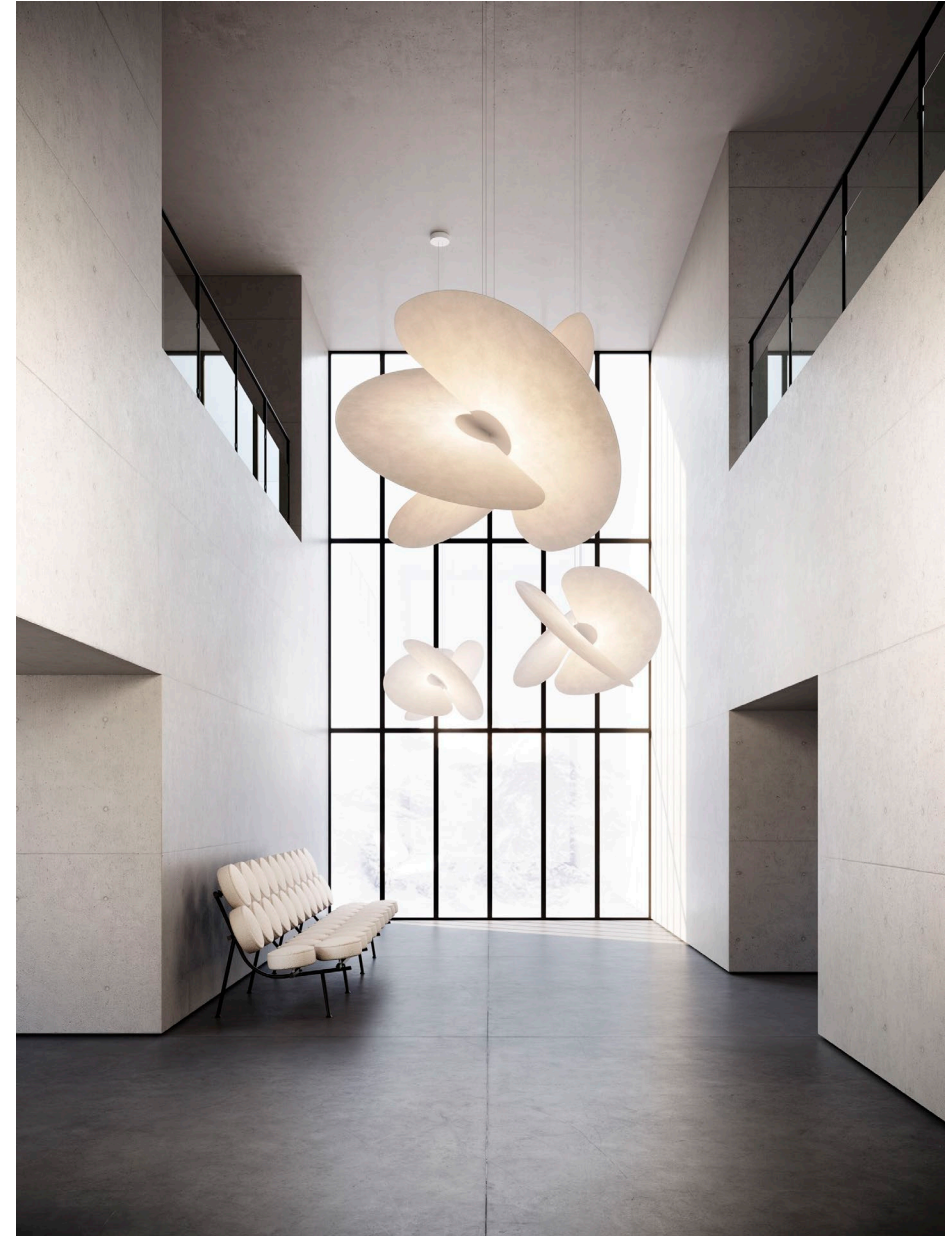
Overview

Fruit of the designer's creative intuition, combined with Luceplan's carefully-researched materials, technology and planning expertise, this is a strong-impact exciting pendant light: a new key feature in domestic living areas as well as for contract use.



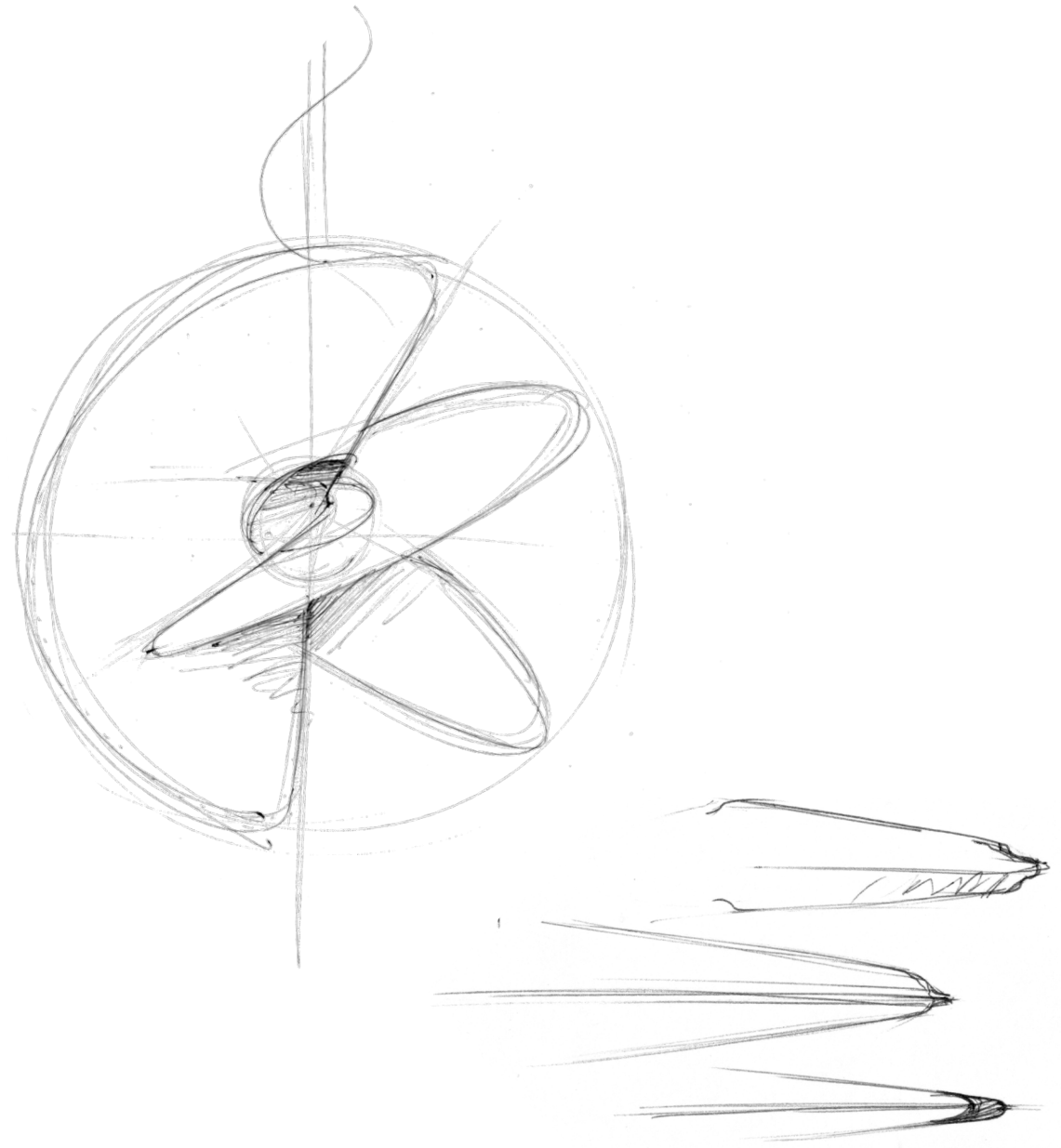
Overview

The light is large yet the overall image is ethereal, like an object floating through space.



Concept

Levante (a name which conjures up lightness and wind but also makes a clear reference to oriental aesthetics) comes from an intersection of three large fans, and is made of an unusual material for the design sector - it comes instead from the food industry, looking like rice paper and able to evenly diffuse its light around the whole area.



Technical data

Tipology: suspension

Finishes: matt white

Dimensions:

structure: Ø 62 / 102 cm

Ceiling rose: Ø 16 x 6 cm

Materials:

Aluminum structure, diffusor in PET

Light source:

Led module, 2700 e 3000 K, CRI 90, 25 W – 2750* lm (Ø 62 cm)
46 W – 5500* lm, (Ø 110 cm)

* Nominal value

Dimmability:

Phase cut, push/DALI



Malamata

design by Schulab



Overview

The light can be used in different positions thanks to a counterweight in the form of a sphere with a button that enables adjustment. By pushing this button, a spring is activated, moving the counterweight down the lamp and thus changing the position of the diffuser.



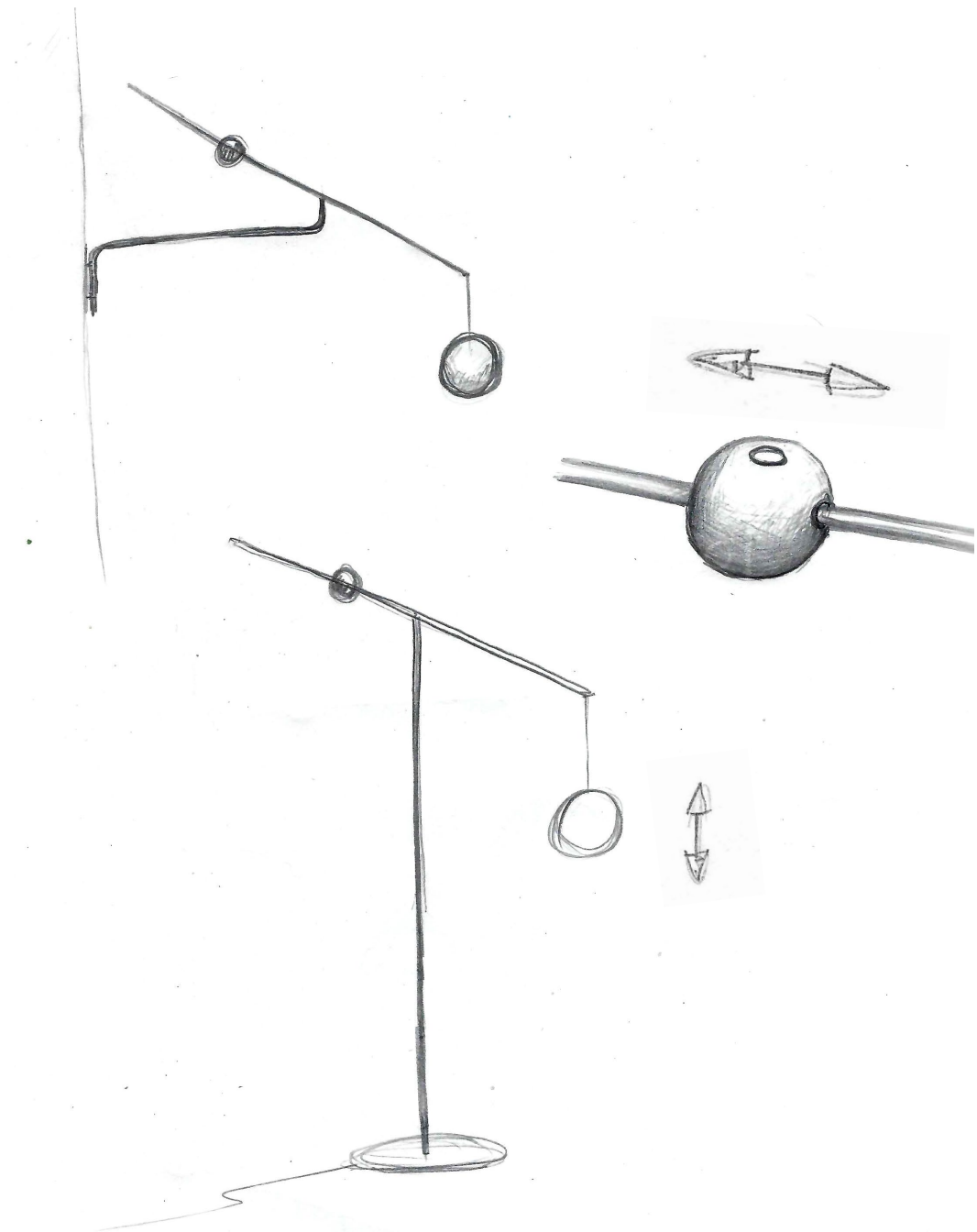
Overview

The particular feature of this project (apart from its movement) is the large size of the diffuser available (48 cm). It is also available in a smaller 22 cm version



Concept

The range of Malamata lights (named to recall the designer's Israeli roots, drawing on the Hebrew meaning of 'up and down') is characterised by the possibility of a variety of diffuser positions.



Diffused light adjustable

The lamp is also available in wall version, composed by two articulated arms that give great flexibility in the positioning of the diffuser.



Diffused light adjustable

The smaller diffuser is suitable also for the floor version, maintaining the great flexibility



Technical data

Tipology: suspension - wall - floor

Finishes: matt black, brass

Dimensions:

- **suspension**

structure: 106 x 86 / 119 x 132 cm

diffusor: Ø 22 / 48 cm

ceiling rose: Ø 13 x 4 cm

- **wall**

structure: 152 x 33 cm

diffusor: Ø 22 cm

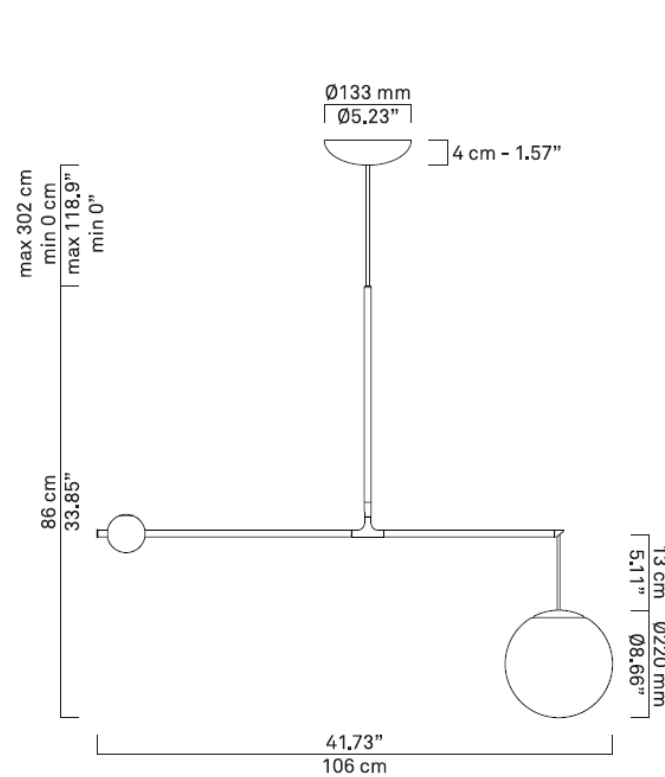
ceiling rose: Ø 6 x 10 cm

- **floor**

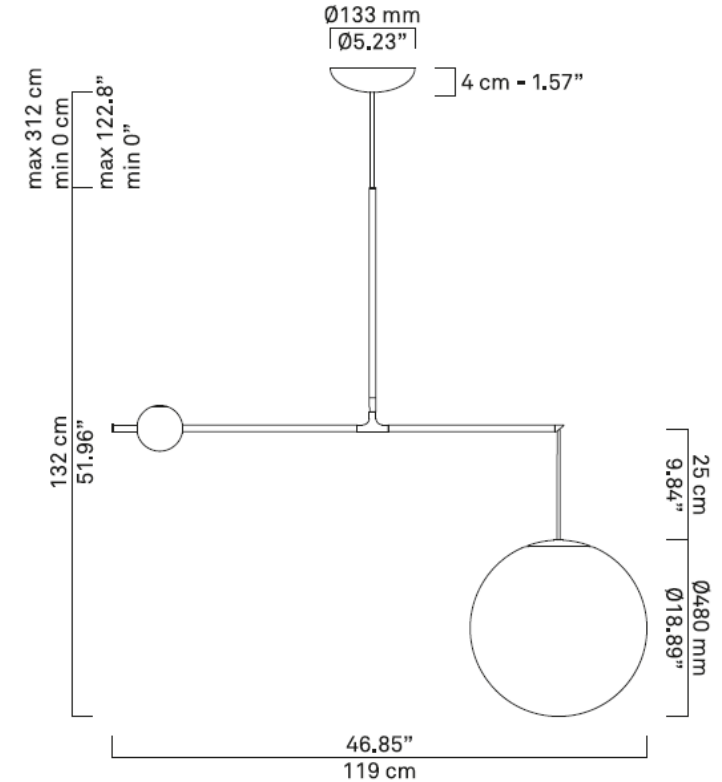
structure: 96 x 150 cm

diffusor: Ø 22 cm

B01S22



B01S48



Technical data

Materials:

Steel structure, zamak joint, brass joint, blown glass diffuser

Light source:

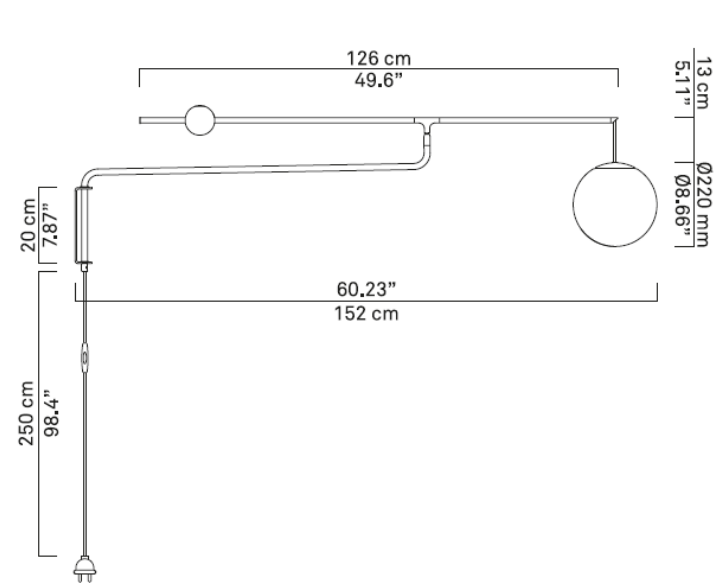
retrofit LED E27/E14

Dimmability:

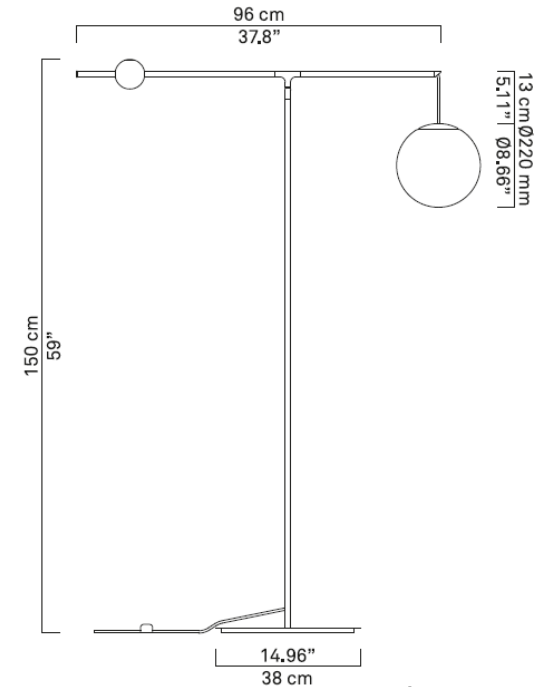
Phase cut / dimmer on board



B01A22



B01T22



Zile

design by Archirivolto



Overview

The Zile light range, named for its diffuser shape which resembles a Tibetan bell, features a minimalist design. The range comprises floor lamps, table lamps and pendant lights.



Overview

The special feature of this project lies in its close attention to sustainability. Luceplan has always been committed in its efforts to reduce the environmental impact not only of its production but also in the distribution of products.



Concept

Zile is, in all respects, an eco-friendly light. The lampshade is made of a long-lasting bioplastic (PLA) which is normally used in the packaging industry as a compostable material. It is composed of 80% renewable sources as it is made from by-products in production of industrial use, i.e sugar., sugarcane, corn and cellulose, with manufacturing processes being of low environmental impact (with limited CO2 emissions). Almost all the lamp's elements are recyclable and/or recycled.



Technical data

Tipology: suspension – table* - floor*

Finishes: matt white, matt black, matt dove gray, matt brick red

Dimensions:

shade: Ø 20 x 20 / 40 x 25 cm

Ceiling rose: Ø 13 x 4 cm

Materials:

Structure steel/aluminium, diffusor in PLA

Light source:

Retrofit LED E27

Dimmability:

Phase cut, dimmer on board*

* Small table version only on-off



luceplan.com

GRAZIE!